

Pump series IMXL

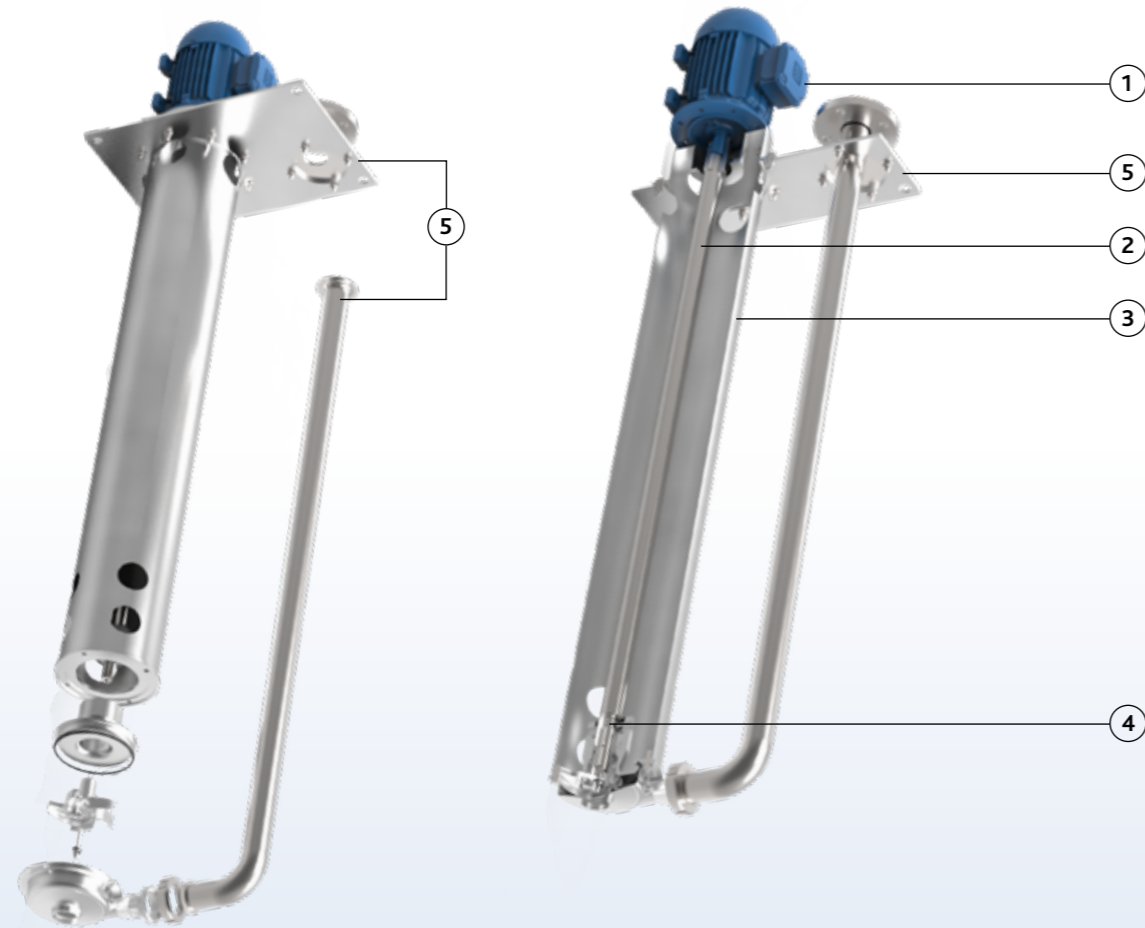


Characteristics

The Packo vertical sump pump series IMXL are designed for installation in a sump or tank, having only the casing and impeller submerged. The pumps have a length of 1500 mm having a shaft supported by a slide bearing in the liquid.

These robust pumps have stainless steel 316L pressed or investment cast pump casings and can be equipped with open, semi-open, closed impellers and vortex impellers. Thanks to its solid construction and electropolished design these pumps are the reliable component for your production process.

Available in ICP, MCP, IFF and MFF version with open, semi-open, closed or vortex impellers.



IMXL

- 1 Use of standard IEC motors
- 2 Tapered shaft, fully machined
- 3 High strength column support pipe. Rigidly maintains alignment between motor and casing. Protects pump shaft.
- 4 Executed with slide bearing in carbon / stainless steel or Silicon carbide / silicon carbide materials. No dry running allowed, additional flushing pipes for oil or water are available as an option.
- 5 Optional: stainless steel base plate and outlet pipe

Your benefits

- Pump length up to 1500 mm in 'monobloc' design
- Easy and robust construction
- Easy maintenance
- Electropolished: higher resistance against corrosion and sticky liquids
- Available with different impellers

Application areas

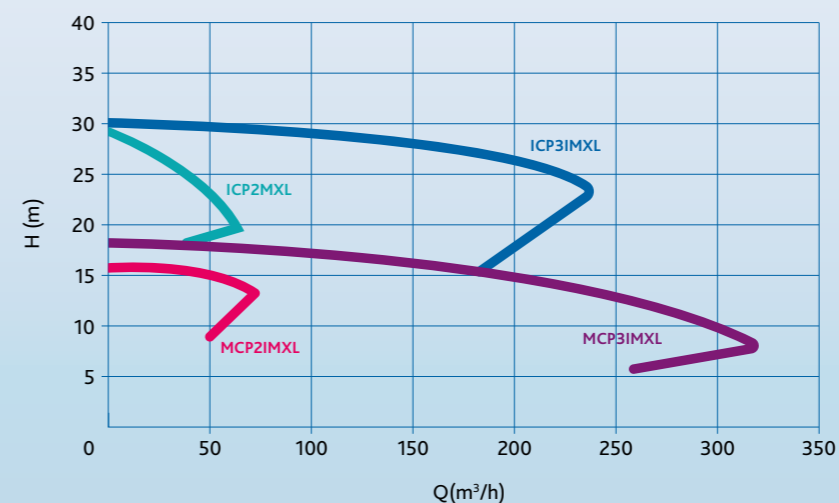
The Packo submersible cantilever pump series IMXL are used in a wide range of industries and applications such as metal finishing industry, industrial spray washers, water treatment, galvanizing and coating industry, chemical industry, etc.

They are handling degreasing, pickling & phosphatizing liquids, slurries, hot oils, process and industrial wastes, corrosive liquids, condensate, etc.

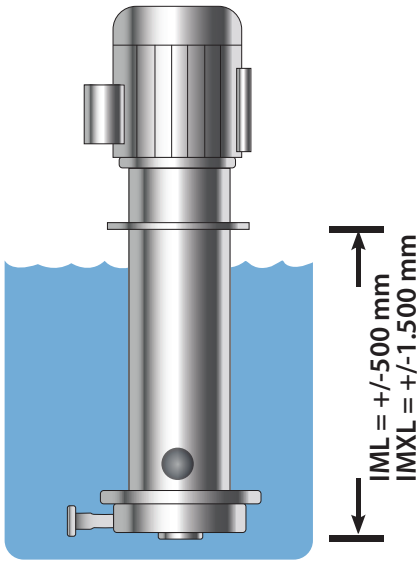
Pump series	IMXL
Performance	
max. flow rate	300 m ³ /h
max. differential head	28 m
max. pump length	1500 mm
max. liquid viscosity	1000 cP
max. temperature	120°C
impeller type	open, semi-open or closed
max. free passage	45 mm
max. motor power	22 kW
max. speed	1500 rpm
available frequency	50/60 Hz
Technical specifications	
materials wetted parts	stainless steel 316L or similar
mechanical seal configuration	no mechanical seals, with slide bearings
available O-ring materials	EPDM, FKM, FEP-FKM, silicone
connections	hygienic fittings, BSP fittings, flanges according to EN1092-1/01 & 02, ANSI flanges
surface finish	industrial, welds not hand polished, electropolished
certificates & legislation	

Performance curves

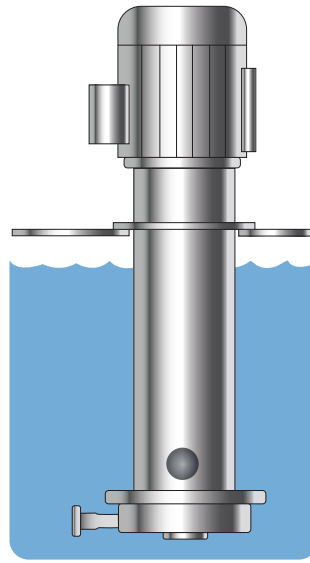
IMXL



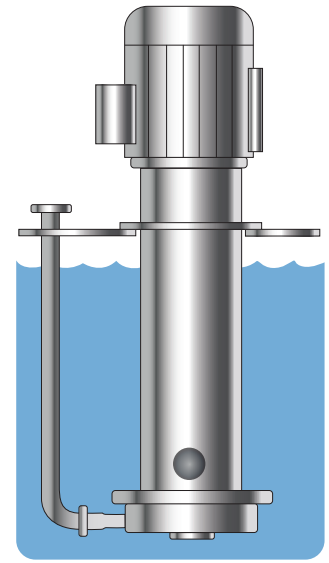
Options IML and IMXL



1 Basic version (code W)



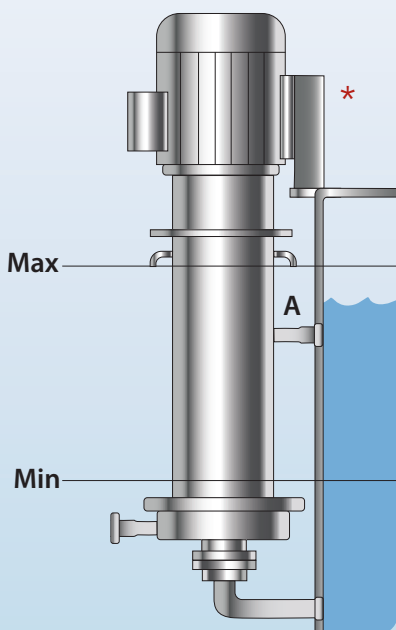
2 Version (code V) with base plate



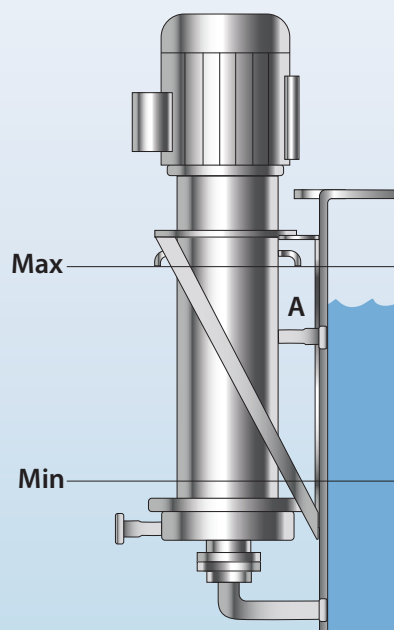
3 Version (code O) with base plate and column pipe

Options IMO

Version IMO, in which the pump is placed outside the vessel.
A bypass connection (A) must be utilised as an overflow.
An additional cleaning connection is possible.



1 Basic version (code W)



2 Version with mounting base (code V)

* mounting support to be provided by the customer